

CONEL
CONNECTING ELEMENTS



TOOLS WERKZEUGE
MASCHINEN
ARBEITSMITTEL

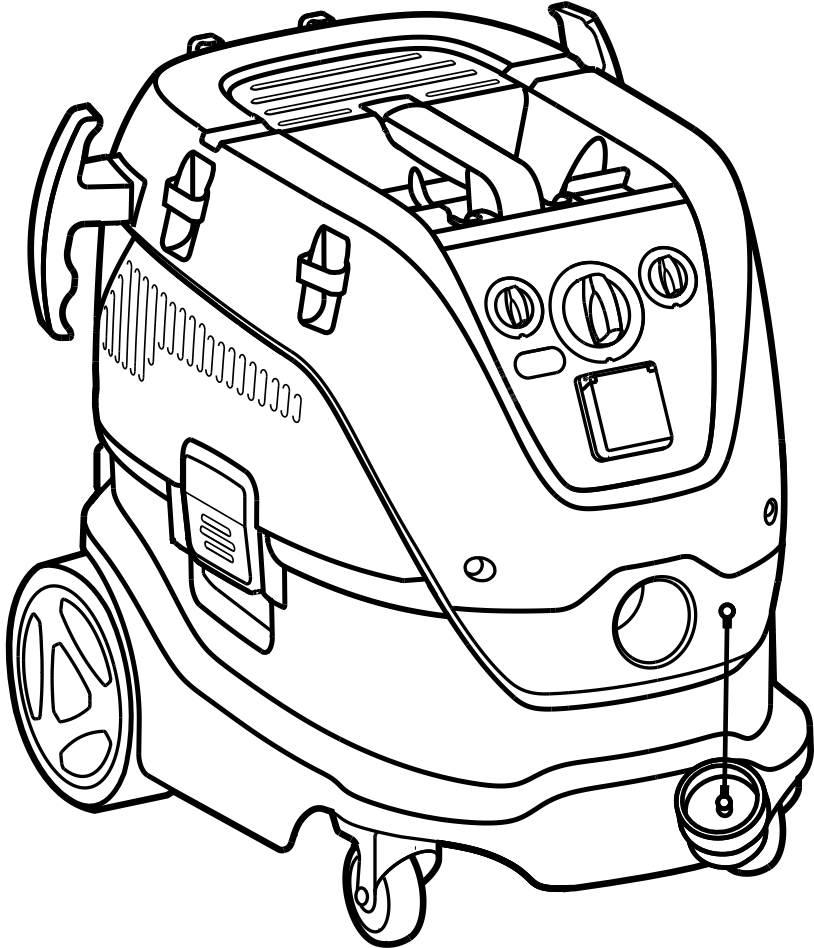
conel.de

STAUBSAUGER CLEAN M30
VACUUM CLEANER

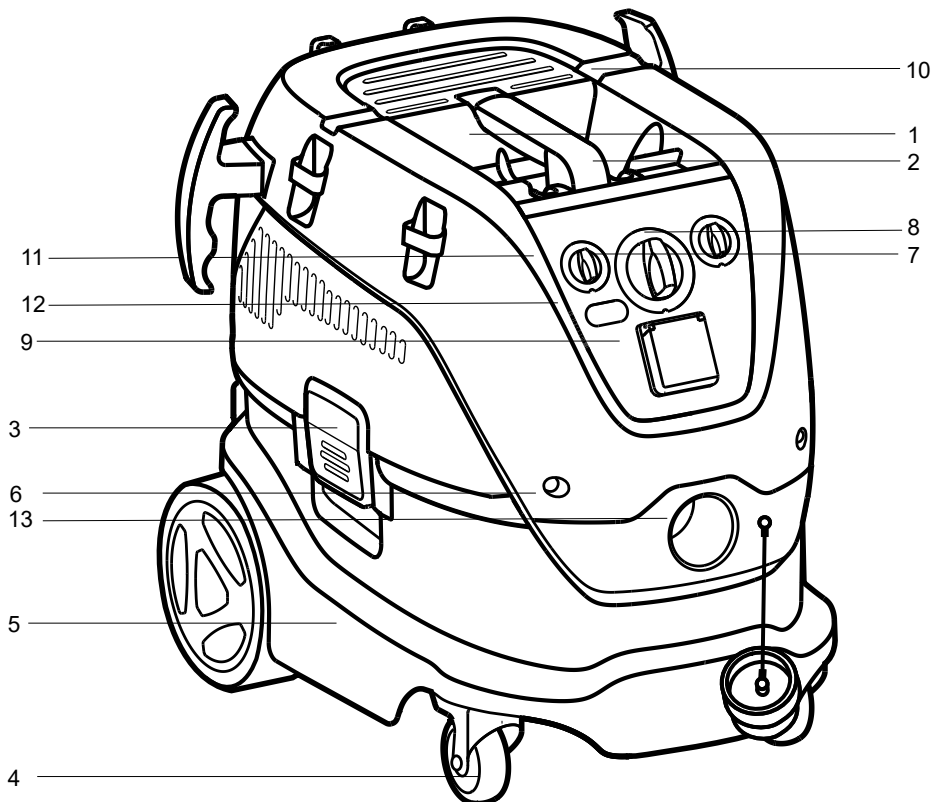
DE

EN

CONEL CLEAN M30



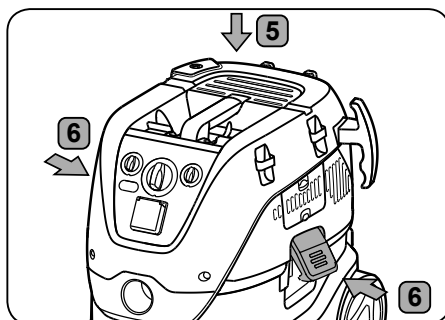
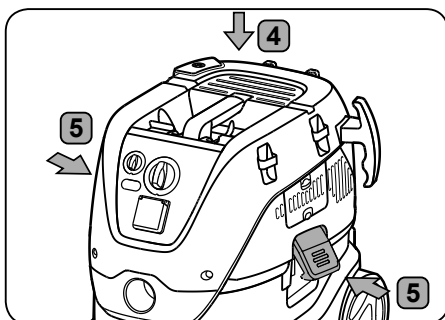
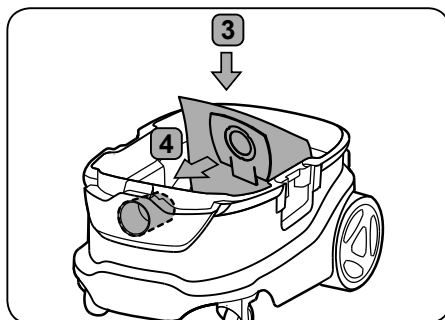
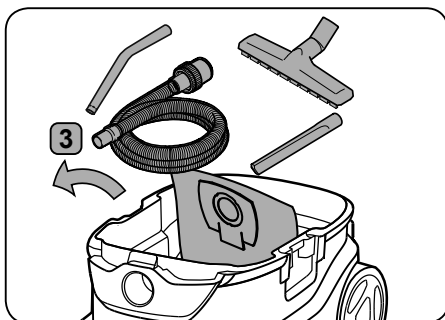
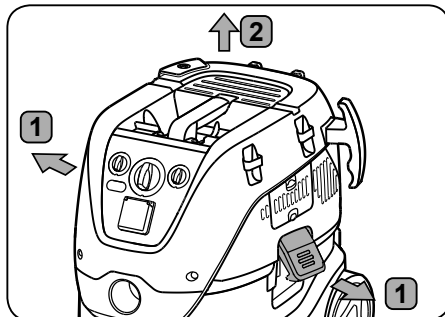
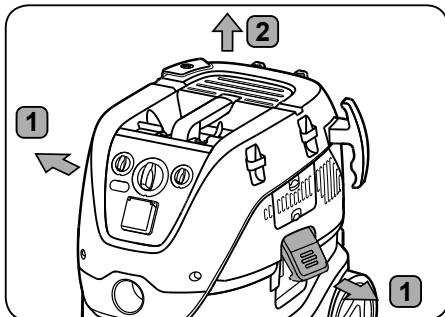
Operating elements



1A'



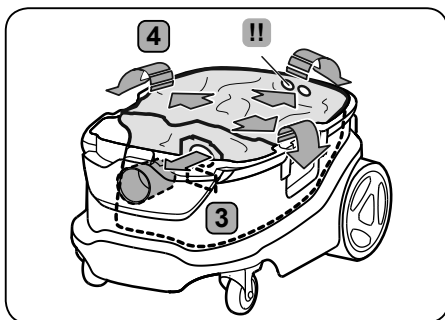
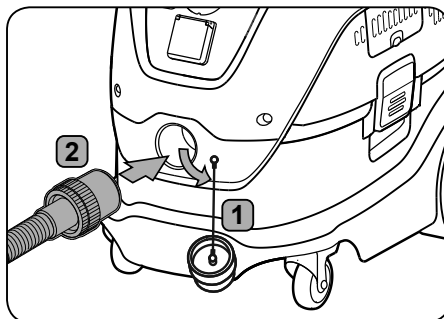
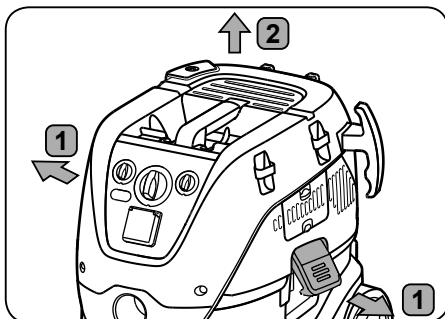
2A


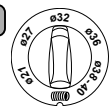


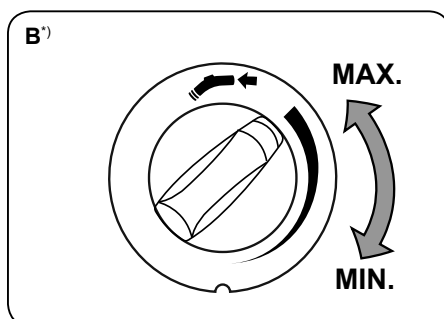
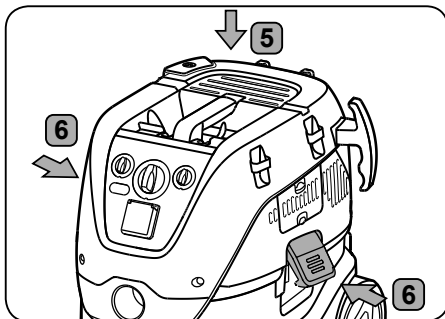
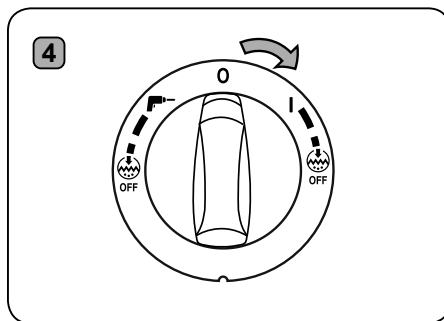
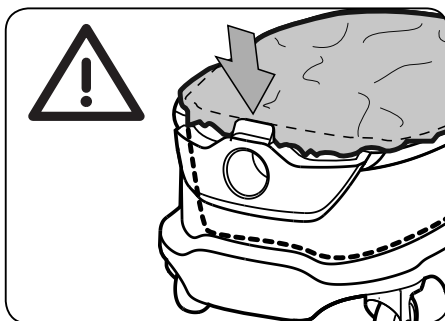
3A'



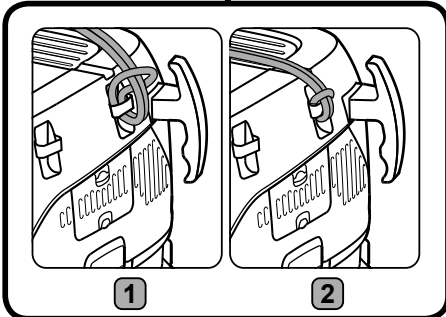
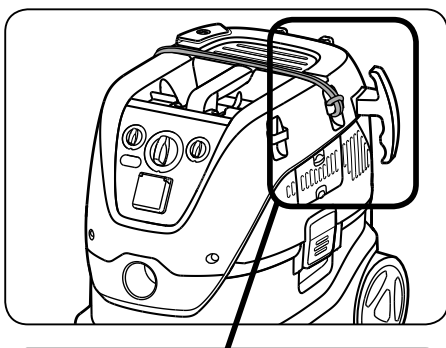
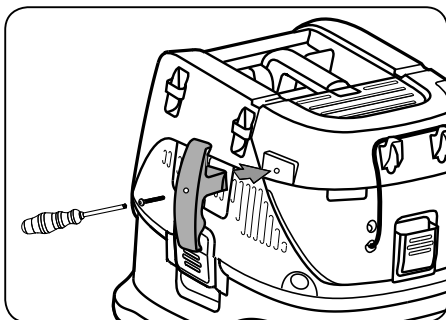
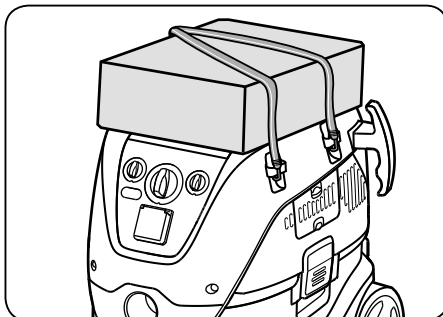
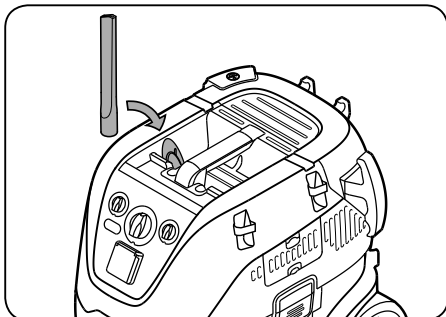
4A



	3 
ø21	ø21
ø27	ø27
ø32	ø32
ø36	ø36
ø38-40	ø38-40



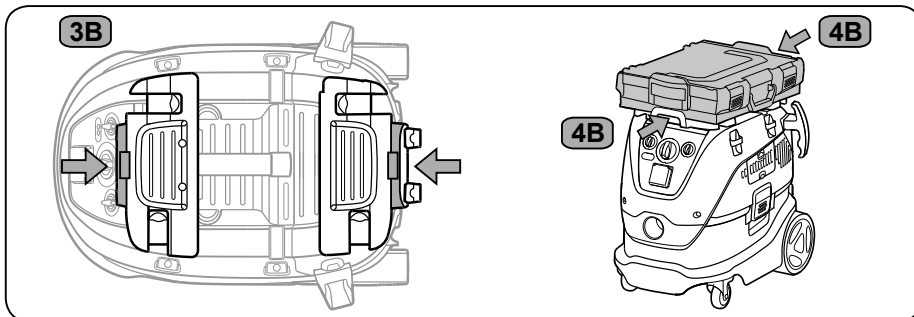
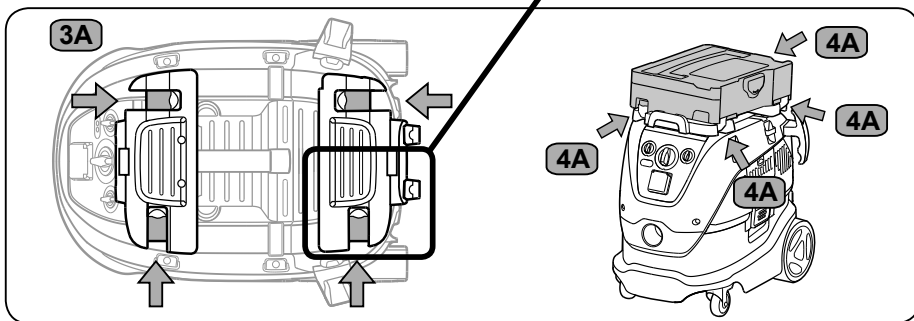
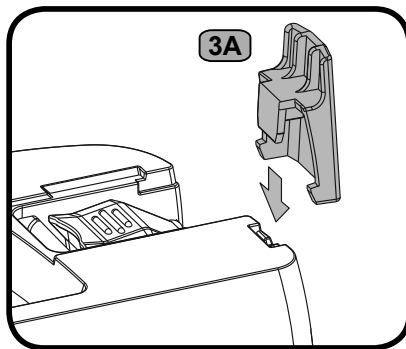
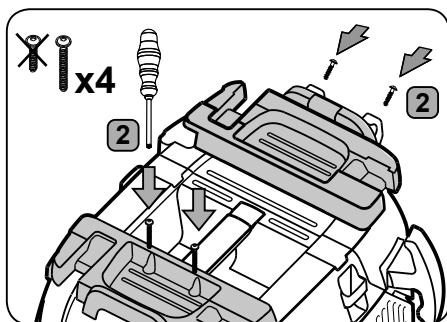
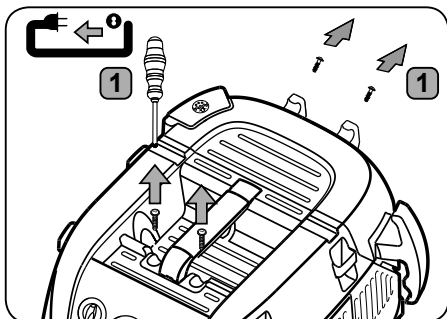
5A⁷



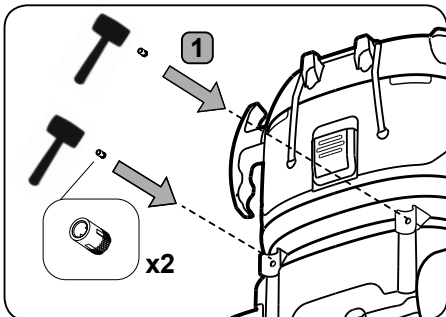
1

2

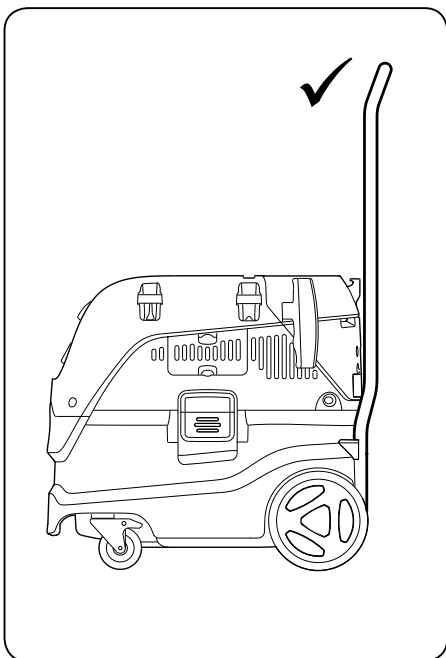
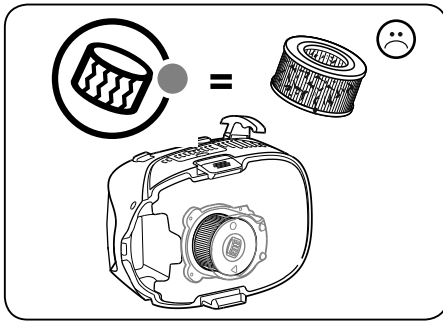
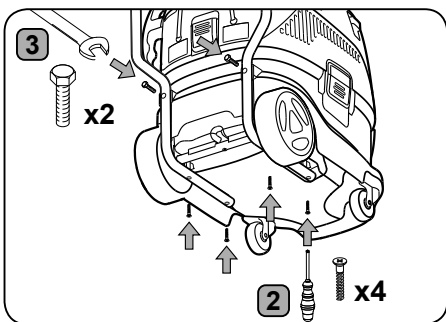
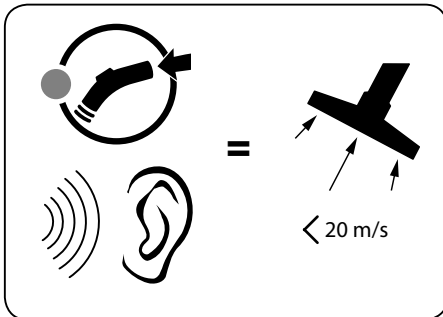
5A⁷



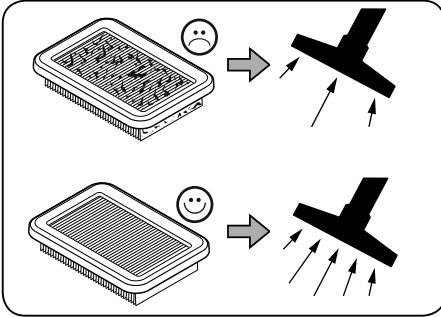
7A'



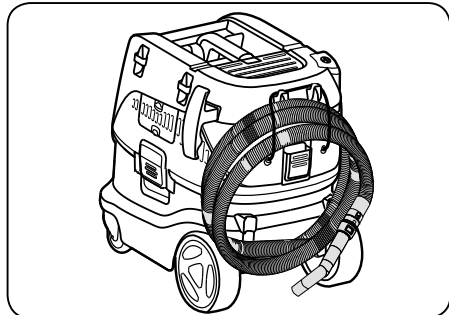
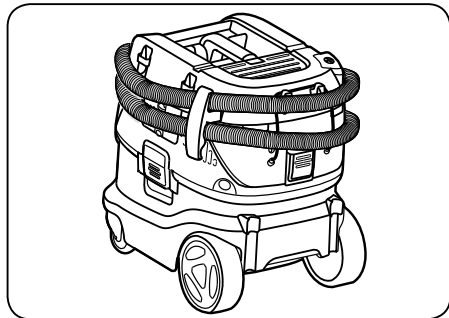
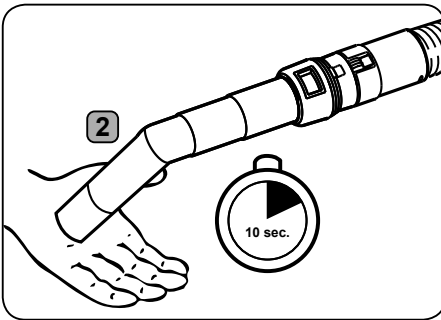
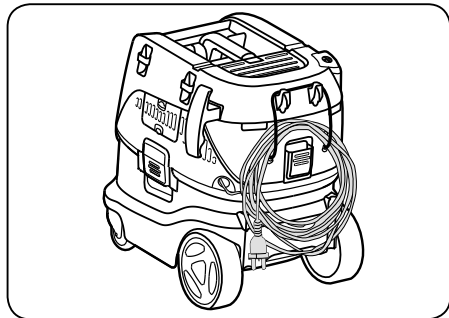
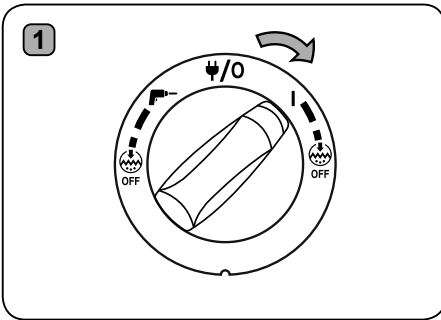
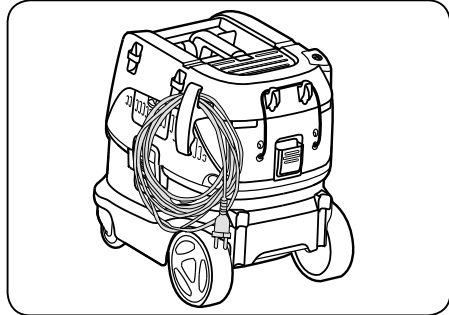
1B'



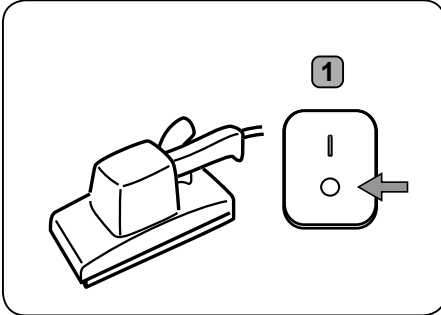
2B



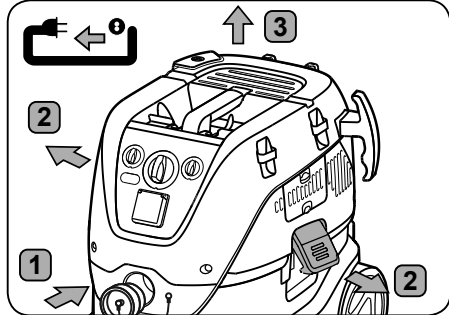
3B



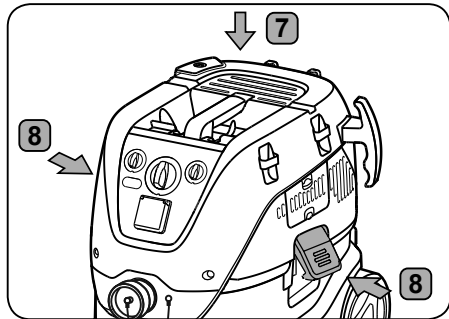
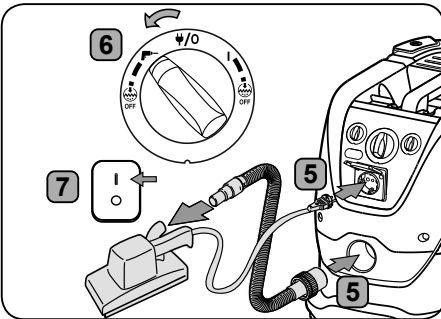
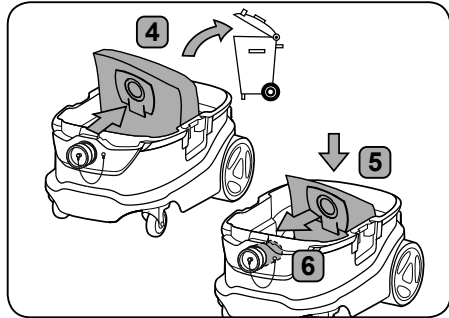
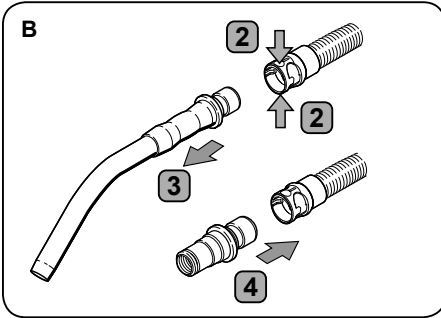
1C



1D



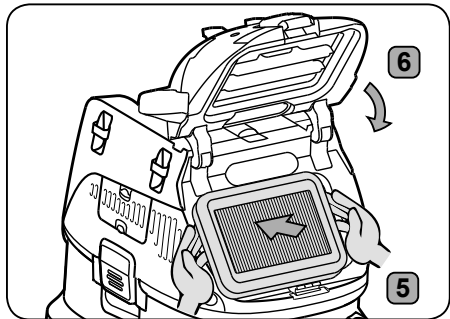
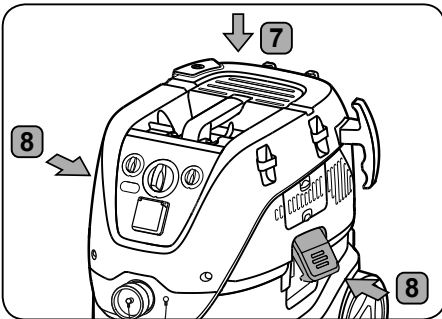
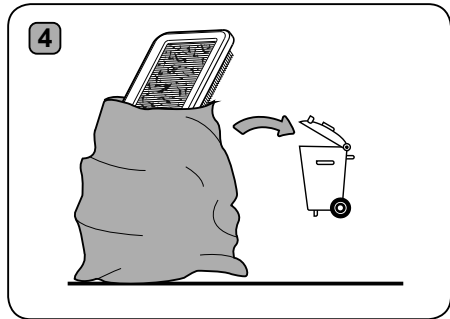
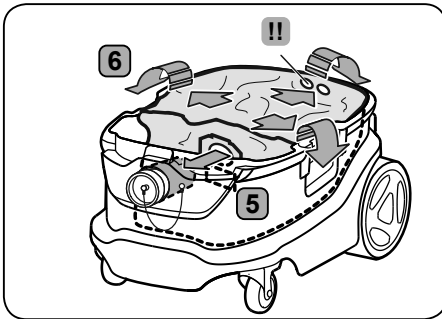
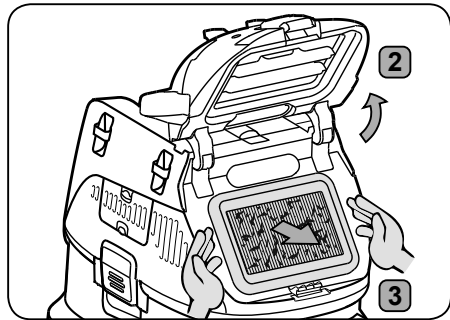
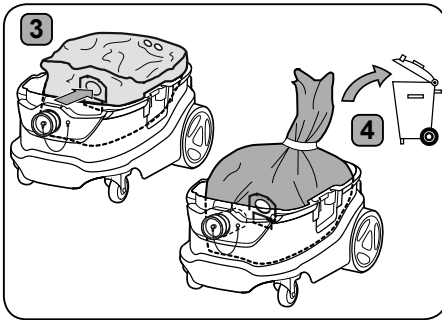
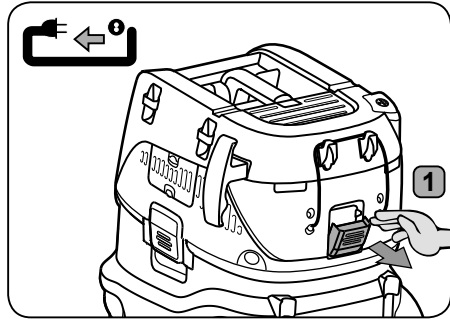
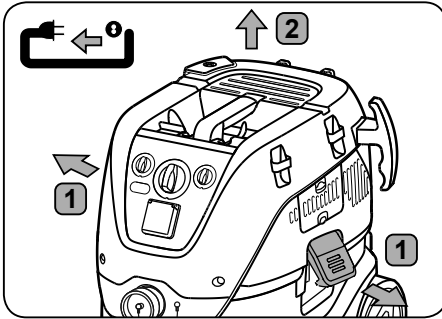
B



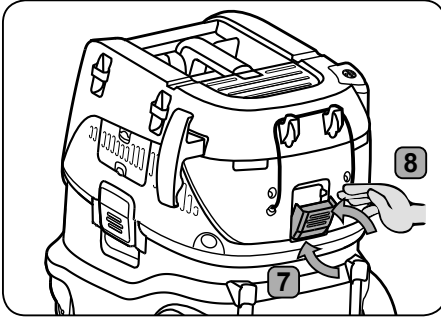
2D)



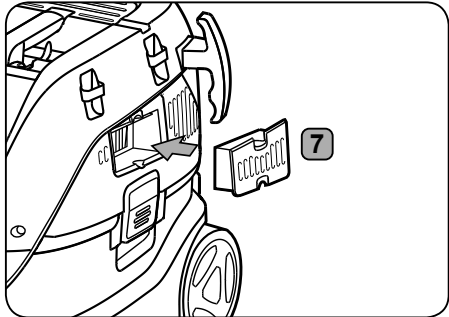
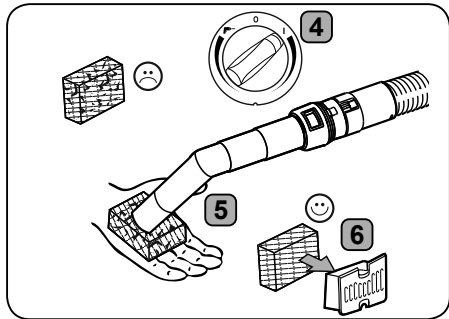
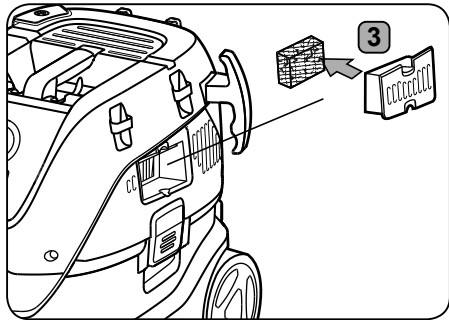
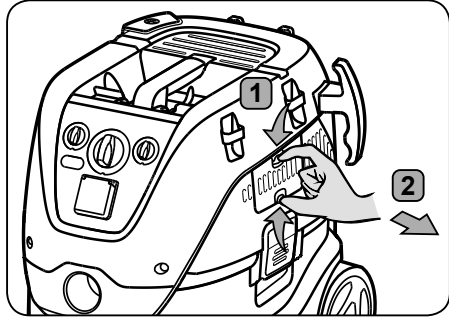
3D



3D

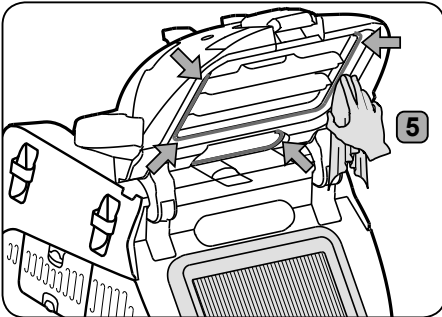
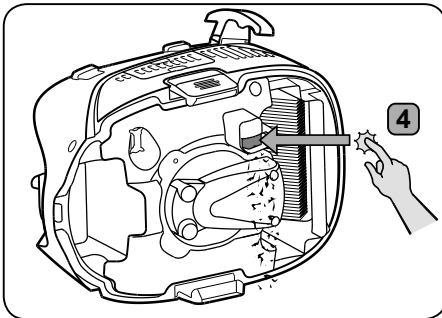
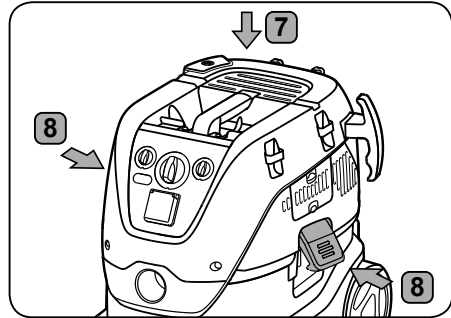
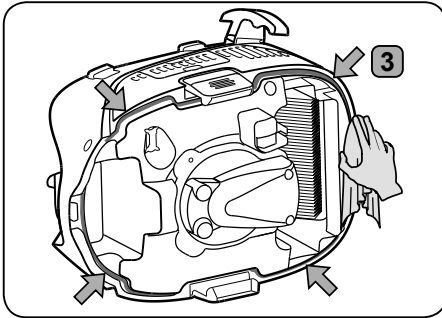
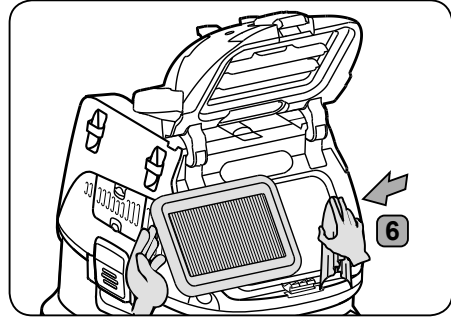
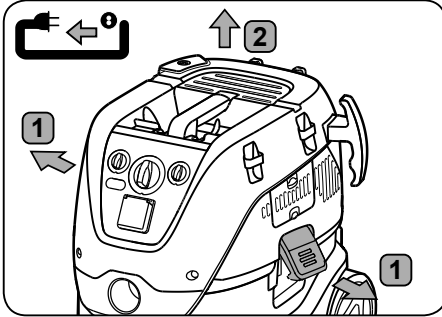


4D



5D

5D



Quick reference guide

Operating elements:

1. Handle
2. Accessory positions
3. Latch
4. Castor
5. Container
6. Inlet fitting
7. Switch
8. Speed control
9. Appliance socket
10. Hose hook
11. Hose diameter setting
12. LED indicator
13. Inlet cap

The pictorial quick reference guide

The pictorial quick reference guide is designed for helping you when starting up, operating and storing the unit. The guide are subdivided into 4 sections, which are represented by symbols:

A



Before starting

DO READ OPERATING INSTRUCTIONS BEFORE USE!

- 1A - Unpack accessories
- 2A - Filter bag installation
- 3A - Disposal bag installation
- 4A - Hose insert & operations
- 5A - Accessories placement
- 6A - Adaptor plate installation
- 7A - Trolley handle installation

B



Control/Operation

- 1B - Flow rate and filter warning
- 2B - Filter cleaning system
- 3B - Cable and hose storage

C



Connecting electrical appliances

- 1C - Power tool adaption

D



Maintenance:

- 1D - Filter bag replacement
- 2D - Disposal bag replacement
- 3D - Filter replacement
- 4D - Motor cooling air diffuser cleaning
- 5D - Gaskets and floater cleaning

Contents

1 Safety instructions	15
1.1 Symbols used to mark instructions	15
1.2 Instructions for use	15
1.3 Purpose and intended use	15
1.4 Electrical connection	15
1.5 Extension lead	15
1.6 Guarantee	16
1.7 Important warnings	16
2 Risks	17
2.1 Electrical components	17
2.2 Hazardous dust	18
2.3 Spare parts and accessories	18
2.4 In explosive or inflammable atmosphere	18
3 Control / Operation	18
3.1 Starting and operating of the machine	18
3.2 Auto-On/Off socket outlet for power tools	18
3.3 Filter Cleaning System	19
3.4 Flow rate warning	19
3.5 Antistatic connection	19
3.6 Cooling air filter	19
3.7 Wet pick-up	19
3.8 Dry pick-up	20
4 After using the machine	20
4.1 After use	20
4.2 Transport	20
4.3 Storage	20
4.4 Accessory and tool storage	20
4.5 Recycling the machine	20
5 Maintenance	20
5.1 Regular servicing and inspection	20
5.2 Maintenance	20
6 Further information	21
6.1 EU Declaration of conformity	21
6.2 Specifications	22

1 Safety instructions



This document contains the safety information relevant for the appliance along with a quick reference guide. Before starting up your machine for the first time, this instruction manual must be read through carefully. Save the instructions for later use.

Further support

Further information on the appliance can be found on our web site at www.conel.de
For further queries, please contact the conel service representative responsible for your country.

1.1 Symbols used to mark instructions

DANGER



Danger that leads directly to serious or irreversible injuries, or even death.

WARNING



Danger that can lead to serious injuries or even death.

CAUTION



Danger that can lead to minor injuries and damage.

1.2 Instructions for use

The appliance must:

- only be used by persons, who have been instructed in its correct usage and explicitly commissioned with the task of operating it
- only be operated under supervision
- This appliance is not intended for use by persons (including children) with reduced physical, sensory or mental capabilities, or lack of experience and knowledge.
- Children shall be supervised to make sure that they do not play with the appliance.
- Do not use any unsafe work techniques.
- Never use the appliance without a filter.
- Switch off the appliance and disconnect the mains plug in the following situations:
 - Prior to cleaning and servicing
 - Prior to replacing components
 - Prior to changing over the appliance
 - If foam develops or liquid emerges

Besides the operating instructions and the binding accident prevention regulations valid in the country of use, observe recognised regulations for safety and proper use.

Before starting work, the operating staff must be informed on and trained within:

- use of the machine
- risks associated with the material to be picked up
- safe disposal of the picked up material

1.3 Purpose and intended use

This mobile dust extractor is designed, developed and rigorously tested to function efficiently and safely when properly maintained and used in accordance with the following instructions.

This machine is intended for commercial use, for example in hotels, schools, hospitals, factories, shops, offices and rental businesses.

This machine is also suitable for industrial use, such as e.g. plants, construction sites and workshops.

Accidents due to misuse can only be prevented by those using the machine.

READ AND FOLLOW ALL SAFETY INSTRUCTIONS.

Any other use is considered as improper use. The manufacturer accepts no liability for any damage resulting from such use. The risk for such use is borne solely by the user. Proper use also includes proper operation, servicing and repairs as specified by the manufacturer.

The air flow in Safety Vacuum systems has to be strictly controlled to achieve a minimum flow rate of $V_{\min} = 20 \text{ m/s}$ in the suction hose.

For **Dust Class M** machines following applies:

The appliance is suitable for picking up dry, non-flammable dust, non flammable liquids, sawdust and hazardous dusts with OEL¹⁾ values $\geq 0.1 \text{ mg/m}^3$



Dust Class M (IEC 60335-2-69).

The dusts which belong to this class are: dusts with OEL values¹⁾

$\geq 0.1 \text{ mg/m}^3$ as well as saw dust. The machine is tested in its entirety by vacuums for this dust class. The maximum degree of permeability is 0.1% and the disposal must be low dust.

For dust extractors, ensure adequate air change rate M, when the exhaust air is returned to the room. Observe national regulations before use.

1.4 Electrical connection

- It is recommended that the machine should be connected via a residual current circuit breaker.
- Arrange the electrical parts (sockets, plugs and couplings) and lay down the extension lead so that the protection class is maintained.
- Connectors and couplings of power supply cords and extension leads must be watertight.

1.5 Extension lead

1. As an extension lead, only use the version specified by the manufacturer or one of a higher quality.
2. When using an extension lead, check the minimum cross-sections of the cable:

¹⁾OEL=Occupational Exposure Limit, ²⁾Optional accessories / Option depending on model
Original instruction

Cable length	Cross section	
	< 16 A	< 25 A
up to 20 m	1.5 mm ²	2.5 mm ²
20 to 50 m	2.5 mm ²	4.0 mm ²

1.6 Guarantee

Our general conditions of business are applicable with regard to the guarantee.

Unauthorised modifications to the appliance, the use of incorrect brushes in addition to using the appliance in a way other than for the intended purpose exempt the manufacturer from any liability for the resulting damage.

1.7 Important warnings

WARNING



- To reduce the risk of fire, electric shock, or injury, please read and follow all safety instructions and caution markings before use. This machine is designed to be safe when used for cleaning functions as specified. Should damage occur to electrical or mechanical parts, the machine and / or accessory should be repaired by a competent service center or the manufacturer before use in order to avoid further damage to the machine or physical injury to the user.
- Do not leave the machine when it is plugged in. Unplug from the socket when not in use and before maintenance.
- Outdoor use of the appliance shall be limited to occasional use.
- Do not use with damaged cord or plug. To unplug grasp the plug, not the cord. Do not handle plug or machine with wet hands. Turn off all controls before unplugging.
- Do not pull or carry by cord, use cord as a handle, close a door on cord, or pull cord around sharp edges or corners. Do not run machine over cord. Keep cord away from heated surfaces.
- Keep hair, loose clothing, fingers and all parts of the body away from openings and moving parts. Do not put any objects into openings or use with opening blocked. Keep openings free of dust, lint, hair, and anything else that could reduce the flow of air.
- Do not use in outside areas at low temperature.
- Do not use to pick up flammable or combustible liquids such as gasoline, or use in areas where they may be present.
- Do not pick up anything that is burning or smoking, such as cigarettes,


matches or hot ashes.

- Use extra care when cleaning on stairs.
- Do not use unless filters are fitted.
- If the machine is not working properly or has been dropped, damaged, left outdoors, or dropped into water, return it to a service center or dealer.
- If foam or liquid escapes from the machine, switch off immediately.
- The machine may not be used as a water pump. The machine is intended for vacuuming air and water mixtures.
- Connect the machine to a properly earthed mains supply. The socket outlet and the extension cable must have an operative protective conductor.
- Provide for good ventilation at the working place.
- Do not use the machine as a ladder or step ladder. The machine can tip over and become damaged. Danger of injury.
- Only use the socket outlet on the machine for purposes specified in the instructions.


2 Risks

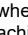

2.1 Electrical components

DANGER


-  The upper section of the machine contains live components. Contact with live components leads to serious or even fatal injuries. Never spray water on to the upper section of the machine.

DANGER

-  Electric shock due to faulty mains connecting lead. Touching a faulty mains connecting lead can result in serious or even fatal injuries.
- Do not damage the mains power lead (e.g. by driving over it, pulling or crushing it).
 - Regularly check whether the power cord is damaged or shows signs of ageing.
 - If the electric cable is damaged, it must be replaced by an authorized conel distributor or similar qualified person in order to avoid a hazard.
 - In no circumstances should the power supply cord be wrapped around fingers or any part of the operators person.

An appliance socket with earthing contact is integrated in the machine. An external power tool can be connected there. The socket features permanent power on, when the electrical switch is in position /0, i.e. the machine can be used as an extension cord. In position  the machine can be switched on and off by the power tool connected. Dirt is picked up from the source of dust immediately. To comply with regulations, only approved dust producing tools should be connected.

The maximum power consumption of the connected electrical appliance is stated in section "Specifications".

Before turning the switch to position  ensure that the tool connected to the appliance socket is switched off.

3.3 Filter Cleaning System

The machine is equipped with an automatic filter cleaning system. A frequent cleaning cycle will automatically run during operation to ensure that suction performance is always at its best.

If suction performance decreases or in extensive dust applications a manually filter cleaning operation is recommended:

- Switch off the machine
- Close the nozzles or suction hose opening with the palm of your hand.
- Turn the switch to position „I“ and let the machine operate at full speed for approx. 10 seconds with the suction hose opening closed.

If suction power is still reduced take out the filter and clean mechanically or replace filter.

For certain applications, like wet pick up, it is recommended to turn off the automatic filter cleaning system. For details see chapter 3.1.

3.4 Flow rate warning

CAUTION



Check that all the filters are present and properly fitted.

The machine is equipped with a system to monitor air velocity. Before picking up dust with occupational exposure limit values, check the volume flow monitor.

When the motor is running, hold the suction hose shut to reduce the volume flow. The LED indicator on front panel will light after approx. 1 second. The acoustic warning sounds after some additional seconds.

Set the diameter setting to the actual hose size.

When LED indicator lights, air velocity is below 20 m/s.

- check if container or filter bag is full.
- check if air flow is reduced in suction hose, tube/nozzle, filter.



3.5 Antistatic connection

CAUTION



The machine is equipped with an antistatic system to discharge any static electricity that may develop during dust pick-up.

The antistatic system is placed in front part of the motor top and creates an earth ground connection to the inlet fitting of the container. For proper function the use of an electrical conductive or antistatic suction hose is recommended. When inserting the optional disposal bag make sure the antistatic connection is kept.

3.6 Cooling air filter

To protect the electronics and motor, the machine is equipped with a cooling air diffusor. Clean the cooling air diffusor regularly.

For areas with a high concentration of fine dust in the surrounding air it is recommended to equip the machine with an optional cooling air filter cartridge to prevent dust from settling inside the air channels and motor. Contact your local sales representative.

CAUTION



If cooling air filter is clogged by dust the overload protection switch in the motor can be activated. In such case switch off the machine, clean cooling air filter and allow machine to cool for approx. 5 minutes.

3.7 Wet pick-up

CAUTION



The machine is equipped with a water level limit system which shuts off the machine when the maximum liquid level is reached.

When this occurs, switch off the machine.

Disconnect the machine from the socket and empty the container. Never pick up liquids without the water level limit system and filter in place.

Picking up liquids.

- Do not pick up flammable liquids
- Before liquids are picked up, always remove the filter bag/wastebag and check that the water level limit works properly.
- If foam appears, stop work immediately and empty the tank.
- Clean the water level limiting device regularly and check for signs of damage.

Before emptying the container, unplug the machine. Disconnect the hose from the inlet by pulling out the hose. Release the latch by pulling them outwards so that the motor top is released. Lift up the motor top from container. Always empty and clean the container and water level limit system after picking-up liquids.

Empty by tilting the container backwards or sideways and pour the liquids into a floor drain or similar.

Put back the motor top to the container. Secure the motor top with the latches.

Heavy maneuvers can, by mistake, trigger the water level limiting device. Should this happen; turn off the machine and wait for 3 seconds to reset the device. Continue to operate the machine afterwards.

3.8 Dry pick-up

CAUTION



Picking up environmentally hazardous materials.

Materials picked up can present a hazard to the environment.

- Dispose of the dirt in accordance with legal regulations.

Remove the electrical plug from the socket before emptying after dry pick-up. Remove the suction hose from the machine and close the inlet cap, to avoid harmful dust spreading. Release the latch by pulling them outwards so that the motor top is released. Lift up the motor top from container.

Main Filter: check the filter. To clean the filter you can either brush or wash it. Wait until the filter is dry before re-starting dust pick-up.

Dustbag: check bag to ensure the fill factor. Replace dust bag if necessary. Remove the old bag.

The new bag is fitted by passing the cardboard piece with the rubber membrane through the vacuum inlet. Make sure that the rubber membrane is passing past the heightening at the vacuum inlet.

After emptying: close motor top to the container and secure the motor top with the latches. Never pick up dry material without filter fitted in the machine. The suction efficiency of the machine depends on the size and quality of the filter and dust bag. Therefore - use only Original filter and dust bags.

4 After using the machine

4.1 After use

After picking up hazardous dust, close the inlet cap and clean the outside of the machine.

Remove the plug from the socket when machine is not in use. Wind up the cord starting from the machine. The power cord can be wound up around the motor top or at the container or placed in the included hook, or fastening means. Some variants have special storage places for accessories.

4.2 Transport

- Before transporting the machine, close all the latches.
- Close the inlet with the inlet cap.
- Do not tilt the machine if there are liquids in the dirt tank.
- Do not use a crane hook to lift the machine.
- Do not lift the machine by the trolley handle *)

4.3 Storage

CAUTION



Store the appliance in a dry place, protected from rain and frost. The machine shall be stored indoors only.

4.4 Accessory and tool storage

For convenient transport and storage of accessories or tools, integrated rails are found on side of machine which allows fastening with straps or other means. A flexible strap and hooks are included on back of machine for attachment of suction hose or mains cable. For instruction see quick reference guide.

An optional adapter plate¹⁾ with attachment system can be installed on top of machine for fastening of 2-point or 4-point storage cases.

Remove the electrical plug from the socket before installing the adapter plate.

CAUTION¹⁾



Do not lift machine in adapter plate without having storage case safely installed. Note the weight and balance of the appliance in case of storage. Maximum weight of storage cases is 30 kg.

4.5 Recycling the machine

Make the old machine unusable.

1. Unplug the machine.
2. Cut the power cord.
3. Do not discard of electrical appliances with household waste.



As specified in European Directive 2012/19/EU on old electrical and electronic appliances, used electrical goods must be collected separately and recycled ecologically.

5 Maintenance

5.1 Regular servicing and inspection

Regular servicing and inspection of your machine must be carried out by suitably qualified personnel in accordance with relevant legislation and regulations. In particular, electrical tests for earth continuity, insulation resistance, and condition of the flexible cord should be checked frequently.

In the event of any defect, the machine **MUST** be withdrawn from service, completely checked and repaired by an authorized service technician.

At least once a year, a conel technician or an instructed person must perform a technical inspection including filters, air tightness and control mechanisms.

5.2 Maintenance

Remove the plug from the socket before performing maintenance. Before using the machine make sure

that the frequency and voltage shown on the rating plate correspond with the mains voltage.

The machine is designed for continuous heavy work. Depending on the number of running hours – the dust filter should be renewed. Keep the machine clean with a dry cloth, and a small amount of spray polish.

During maintenance and cleaning, handle the machine in such a manner that there is no danger for maintenance staff or other persons.

In the maintenance area

- Use filtered compulsory ventilation
- Wear protective clothing
- Clean the maintenance area so that no harmful substances get into the surroundings.

During maintenance and repair work all contaminated parts that could not be cleaned satisfactorily must be:

- Packed in well sealed bags
- Disposed of in a manner that complies with valid regulations for such waste removal.

For details of after sales service contact your dealer or conel service representative responsible for your country.

6 Further information

6.1 EU Declaration of conformity

CONEL GMBH
Margot-Kalinke-Straße 9
80939 München
Germany

Hereby declare, that the
Product VAC - Commercial - Wet/Dry
Description 220-240V, 50/60Hz, IPX4
Type CONEL CLEAN M30

Are in compliance with the following standards:

EN 60335-1:2012+A11:2014
EN 60335-2-69:2012
EN 55014-1:2006+A1:2009+A2:2011
EN 55014-2:2015
EN 61000-3-2:2014
EN 61000-3-3:2013

Following the provisions of:

2006/42/EC
2014/30/EU

München 02-18-2021



Uwe Dietz
CEO CONEL GMBH

6.2 Specifications

CONEL CLEAN M30		
		EU
		M30
Possible voltage	V	220-240
Power P _{IEC}	W	1200
Connected load for appliance socket	W	2400
Mains frequency	Hz	50/60
Fuse	A	16
Protection grade (moist, dust)		IPX4
Protection class (electrical)		I
Max. Airflow *	l/s m ³ /h CFM	75 270 159
Max. Vacuum	kPa hPa inH ₂ O	25 250 100
Sound pressure level L _{PA} (IEC 60335-2-69)	dB(A)	69 ± 2
Working sound level	dB(A)	60 ± 2
Vibration ISO 5349 a _h	m/s ²	≤ 2,5
Weight	kg lb	14,5 31,9
Filter surface area	m ²	0,5
Dust class		M

* measured at turbine

Specifications and details are subject to change without prior notice.

Kurzanleitung

Bedienelemente:

1. Griff
2. Zubehörfach
3. Verschluss
4. Lenkrollen
5. Behälter
6. Einlassstutzen
7. Schalter
8. Geschwindigkeitsregler
9. Zubehörstecker
10. Schlauchhaken
11. Einstellung Schlauchdurchmesser
12. LED-Anzeige
13. Einlasskappe

Illustrierte Kurzanleitung

Die illustrierte Kurzanleitung soll Sie bei Inbetriebnahme, Benutzung und Lagerung des Geräts unterstützen. Die Anleitung ist in vier Abschnitte gegliedert, die durch die folgenden Symbole gekennzeichnet sind:

A



Vorbereitung

LESEN SIE BITTE VOR DER BENUTZUNG DIE BETRIEBSANLEITUNG!

- 1A - Zubehör auspacken
- 2A - Filterbeutel einsetzen
- 3A - Entsorgungsbeutel einsetzen
- 4A - Schlauch anschließen und Betrieb
- 5A - Zubehör einsetzen
- 6A - Adapterplatte einsetzen
- 7A - Zuggriff einsetzen

B



Bedienung und Betrieb

- 1B - Durchflussmenge und Filterwarnung
- 2B - Filterreinigungssystem
- 3B - Kabel- und Schlauchaufbewahrung

C



Elektrogeräte anschließen

- 1C - Anschluss für Zusatzgeräte

D



Wartung:

- 1D - Filterbeutel auswechseln
- 2D - Entsorgungsbeutel auswechseln
- 3D - Filter auswechseln
- 4D - Luftdiffusor der Motorkühlung reinigen
- 5D - Dichtungen und Schwimmer reinigen

Inhalt

1 Sicherheitshinweise	24
1.1 Kennzeichnung von Hinweisen.....	24
1.2 Bedienungsanleitung	24
1.3 Zweck und bestimmungsgemäße Verwendung.....	24
1.4 Elektrischer Anschluss.....	24
1.5 Verlängerungskabel.....	25
1.6 Garantie.....	25
1.7 Wichtige Warnhinweise.....	25
2 Gefahrenhinweise	27
2.1 Elektrische Teile.....	27
2.2 Gefährlicher Staub.....	27
2.3 Ersatzteile und Zubehör.....	27
2.4 Explosionsgefährdete oder entflammbare Umgebungen	28
3 Bedienung und Betrieb	28
3.1 Starten und Bedienen des Geräts	28
3.2 Ein-/Ausschaltautomatik für Elektrowerkzeuge	28
3.3 Filterreinigungssystem.....	28
3.4 Volumenstrom-Überwachung	29
3.5 Antistatischer Anschluss.....	29
3.6 Kühlluftfilter.....	29
3.7 Nasssaugen.....	29
3.8 Trockene Stoffe saugen.....	29
4 Nach Gebrauch des Geräts	30
4.1 Nach Gebrauch.....	30
4.2 Transport.....	30
4.3 Lagerung.....	30
4.4 Lagerung von Zubehörteilen.....	30
4.5 Recycling des Geräts.....	30
5 Wartung	30
5.1 Regelmäßige Wartung und Inspektion....	30
5.2 Wartung	30
6 Weitere Informationen	31
6.1 EU-Konformitätserklärung	31
6.2 Technische Daten	32

1 Sicherheitshinweise



Dieses Dokument enthält die Kurzanleitung sowie wichtige Sicherheitsinformationen zum Gerät. Sie müssen diese Bedienungsanleitung sorgfältig lesen, bevor Sie das Gerät zum ersten Mal in Betrieb nehmen. Heben Sie diese Anleitung für die spätere Verwendung auf.

Weitere Informationen

Weitere Informationen zum Gerät finden Sie auf unserer Internetseite www.conel.de. Bei Fragen wenden Sie sich bitte an den conel-Service in Ihrem Land.

1.1 Kennzeichnung von Hinweisen

GEFAHR



Eine Gefahr, die zu schweren Schäden und Verletzungen, sogar tödlichen, führen kann.

WARNUNG



Eine Gefahr, die zu schweren Verletzungen, sogar tödlichen, führen kann.

VORSICHT



Eine Gefahr, die zu leichteren Verletzungen und Schäden führen kann.

1.2 Bedienungsanleitung

Das Gerät darf

- nur von Personen eingesetzt werden, die in der korrekten Anwendung unterwiesen und explizit mit der Bedienung beauftragt wurden
- nur unter Aufsicht betrieben werden
- Dieses Gerät darf nicht von Personen (einschließlich Kindern) mit körperlichen oder geistigen Einschränkungen oder ohne ausreichende Erfahrungen und Kenntnisse benutzt werden.
- Kinder müssen beaufsichtigt werden, um sicherzustellen, dass sie nicht mit dem Gerät spielen.
- Keine unsicheren Arbeitsmethoden einsetzen.
- Verwenden Sie das Gerät niemals ohne Filter.
- In den folgenden Situationen das Gerät ausschalten und den Netzstecker ziehen:
 - Vor Reinigung und Wartung
 - Vor dem Auswechseln von Teilen
 - Vor Änderungen am Gerät
 - Falls sich Schaum entwickelt oder Flüssigkeit austritt

Neben dieser Anleitung und den Bestimmungen zur Unfallverhütung in Ihrem Land sind auch die Bestimmungen zur Sicherheit und verantwortungsvollen Nutzung zu beachten.

Das Bedienpersonal des Gerätes ist vor der Arbeit zu informieren über:

- die Handhabung des Gerätes
- vom aufzusaugenden Material ausgehende Gefahren

- die sichere Beseitigung des aufgesaugten Materials

1.3 Zweck und bestimmungsgemäße Verwendung

Dieser mobile Staubsauger wurde konstruiert, entwickelt und sorgfältig getestet, damit er effizient und sicher arbeitet, wenn er korrekt gewartet und gemäß den folgenden Anweisungen benutzt wird.

Dieses Gerät ist ausschließlich für die kommerzielle Nutzung, beispielsweise in Hotels, Schulen, Krankenhäusern, Fabriken, Geschäften, Büros oder im Verleihgeschäft geeignet.

Das Gerät ist auch für den industriellen Einsatz wie in Fabriken, auf Baustellen und in Werkstätten geeignet.

Unfälle aufgrund missbräuchlicher Benutzung können nur durch die Benutzer verhindert werden.

ALLE SICHERHEITSHINWEISE LESEN UND BEACHTEN.

Jegliche andere Verwendung gilt als unsachgemäße Verwendung. Der Hersteller übernimmt keinerlei Haftung für Schäden aus einer solchen Nutzung. Das Risiko für solche Nutzung obliegt allein dem Benutzer. Die zweckmäßige Verwendung beinhaltet den korrekten Betrieb sowie regelmäßige Wartung und Reparatur gemäß Anleitung des Herstellers.

Der Luftstrom im Sicherheitsdrucksystem muss genau kontrolliert werden, um eine minimale Luftgeschwindigkeit von $V_{\min} = 20$ m/s im Saugschlauch zu erreichen.

Für **Geräte mit Staubklasse M** gilt Folgendes: trockenen, nicht brennbaren Stäuben, nicht brennbaren Flüssigkeiten, Holzstäuben und gesundheitsgefährlichen Stäuben mit AGW-Werten¹⁾ $> 0,1$ mg/m³



Staubklasse M (IEC 60335-2-69).

Zu dieser Staubklasse gehören Stäube mit AGW-Werten¹⁾, $\geq 0,1$ mg/m³ sowie Holzstaub. Sauger dieser Staubklasse werden als Gesamtgerät geprüft. Der maximale Durchlassgrad beträgt 0,1 %, die Entsorgung muss staubarm erfolgen.

Beim Einsatz von Entstaubern muss auf eine ausreichende Luftaustauschrate M geachtet werden, wenn die Abluft des Saugers in den Raum geblasen wird. Bitte befolgen Sie die in Ihrem Land gültigen Vorschriften.

1.4 Elektrischer Anschluss

- Wir empfehlen den Anschluss des Staubsaugers über einen Fehlerstrom-Schutzschalter.
- Die elektrischen Teile (Steckdosen, Stecker und Verbindungen und Verlängerungskabel) so anordnen, dass die Schutzklasse eingehalten wird.
- Anschlüsse und Verbindungen von Stromkabeln

und Verlängerungskabeln müssen wasserdicht sein.

1.5 Verlängerungskabel

1. Nur Verlängerungskabel mit den vom Hersteller angegebenen oder höheren Spezifikationen verwenden.
2. Bei Verwendung von Verlängerungskabeln den Mindestdurchmesser beachten:

Kabellänge	Kabelquerschnitt	
	< 16 A	< 25 A
bis zu 20 m	1,5 mm ²	2,5 mm ²
20 bis 50 m	2,5 mm ²	4,0 mm ²

1.6 Garantie

Für die Garantie gelten unsere allgemeinen Geschäftsbedingungen.

Der Hersteller haftet nicht für Schäden, die durch nicht genehmigte Modifizierungen am Gerät, den Einsatz von falschen Bürsten oder den Einsatz des Geräts außerhalb des dafür vorgesehenen Verwendungszwecks entstehen.

1.7 Wichtige Warnhinweise

WARNUNG



- Um die Gefahr von Feuer, Stromschlag oder Verletzungen zu verringern, lesen und befolgen Sie bitte vor dem Gebrauch alle Sicherheitshinweise und -kennzeichen. Dieses Gerät ist so konstruiert, dass es sicher ist, wenn es für die angegebenen Reinigungsfunktionen verwendet wird. Bei Beschädigung von elektrischen oder mechanischen Teilen muss das Gerät bzw. das Zubehör von einer qualifizierten Servicewerkstatt oder dem Hersteller repariert werden, bevor das Gerät wieder benutzt wird, damit weitere Schäden am Gerät und Verletzungen der Benutzer vermieden werden.
- Das Gerät nicht verlassen, wenn es angeschlossen ist. Bei Nichtgebrauch und vor Wartungsarbeiten den Netzstecker ziehen.
- Der Einsatz des Geräts im Freien sollte auf ein Minimum beschränkt werden.
- Das Gerät nicht benutzen, wenn das Zuleitungskabel oder der Netzstecker beschädigt sind. Zum Herausziehen des Steckers aus der Steckdose am Stecker ziehen, nicht am Kabel. Den Stecker oder das Gerät nicht mit nassen Händen anfassen. Vor dem Herausziehen des Netzsteckers den Staubsauger ausschalten.
- Das Gerät nicht am Kabel hinter sich herziehen oder am Kabel tragen. Das Kabel nicht als Griff benutzen. Darauf achten, dass das Kabel nicht eingeklemmt oder um scharfe Ecken oder Kanten gezogen wird.

Mit dem Gerät nicht über das Kabel fahren. Darauf achten, dass das Kabel nicht mit heißen Oberflächen in Berührung kommt.

- Haare, lose Kleidungsstücke und Körperteile nicht in die Nähe von Öffnungen oder beweglichen Teilen des Geräts bringen. Das Gerät nicht einsetzen, falls eine der Öffnungen blockiert ist und keine Gegenstände in die Öffnungen stecken. Die Öffnungen frei halten von Staub, Fusseln, Haaren und sonstigem Material, das den Luftstrom hemmen könnte.
- Nicht in Außenbereichen bei niedrigen Temperaturen verwenden.
- Keine entzündlichen oder brennbaren Flüssigkeiten wie Benzin aufsaugen. Nicht in Bereichen verwenden, wo solche Flüssigkeiten vorhanden sein können.
- Keinesfalls rauchende oder brennende Gegenstände (wie z. B. Zigaretten, Zündhölzer, heiße Asche) aufsaugen.
- Bei der Reinigung auf Treppen besonders vorsichtig sein.
- Nur verwenden, wenn die Filter eingesetzt sind.
- Wenn das Gerät nicht richtig funktioniert, es heruntergefallen oder beschädigt ist, wenn es im Freien gestanden hat oder ins Wasser gefallen ist, muss es zu einer Servicewerkstatt oder einem Händler gebracht werden.
- Das Gerät bei Schaumentwicklung oder Austritt von Flüssigkeit sofort ausschalten.
- Das Gerät darf nicht als Wasserpumpe verwendet werden. Das Gerät ist dafür geeignet, ein Luft-Wasser-Gemisch aufzusaugen.
- Das Gerät an einem ordnungsgemäß geerdeten Netzanschluss anschließen. Steckdose und Verlängerungskabel müssen über einen funktionsfähigen Schutzleiter verfügen.
- Am Arbeitsplatz für ausreichende Lüftung sorgen.
- Das Gerät nicht als Tritt oder Leiter benutzen. Das Gerät könnte dabei umkippen und beschä-


digt werden. Verletzungsgefahr.

- Die Steckdose am Gerät nur für die dafür in der Anleitung angegebenen Zwecke verwenden.


2 Gefahrenhinweise

2.1 Elektrische Teile

GEFAHR

-  Das Oberteil des Geräts enthält Teile, die unter Strom stehen. Kontakt mit Teilen, die unter Strom stehen, kann zu schweren oder sogar tödlichen Verletzungen führen. Niemals Wasser auf den oberen Teil des Geräts sprühen.

GEFAHR


-  Stromschlag durch defektes Stromkabel. Das Berühren eines defekten Stromkabels kann zu schweren oder sogar tödlichen Verletzungen führen.
- Das Stromkabel nicht beschädigen (nicht belasten, ziehen oder knicken).
 - Regelmäßig prüfen, ob das Stromkabel beschädigt ist oder Zeichen von Alterung aufweist.
 - Wenn das elektrische Kabel beschädigt ist, muss es von einem au-

torisierten conel Händler oder einer anderen qualifizierten Person ersetzt werden, um Gefahren vorzubeugen.

- Keinesfalls das Stromkabel um die Finger oder andere Körperteile wickeln.


2.2 Gefährlicher Staub


WARNUNG

-  Gefahrstoffe. Das Aufsaugen von Gefahrenstoffen kann zu schweren oder sogar tödlichen Verletzungen führen. Die folgenden Stoffe dürfen mit diesem Gerät nicht aufgenommen werden:
- heiße Materialien (brennende Zigaretten, glühende Asche usw.)
 - entflammbare, explosive oder aggressive Flüssigkeiten (z. B. Benzin, Lösungsmittel, Säuren, Basen usw.)
 - entflammbarer, explosiver Staub (z. B. Magnesium- oder Aluminiumstaub usw.)

2.3 Ersatzteile und Zubehör

VORSICHT

-  Ersatzteile und Zubehör. Die Verwendung von nicht originalen Ersatzteilen und Zubehör kann die Sicherheit des Geräts beeinträchtigen. Nur Original-Ersatzteile und Zubehör von conel verwenden. Ersatzteile, die für die Arbeitssicherheit des Bedieners oder die Funktion des Geräts von Bedeutung sind, sind im Folgenden angegeben:

Beschreibung	Bestell-Nr.
Flachfilter PTFE, 1 Stück 	CTOOLM30FF
Vliesfilterbeutel, 5 Stück	CTOOLM30VF

2.4 Explosionsgefährdete oder entflammare Umgebungen

VORSICHT



Dieses Gerät ist nicht geeignet für die Verwendung in explosionsgefährdeten oder entflammaren Umgebungen oder in solchen Umgebungen, in denen durch flüchtige Flüssigkeiten oder entflammare Gase oder Dämpfe solche Gefahren entstehen können.

3 Bedienung und Betrieb

VORSICHT



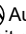
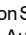
Beschädigung durch falsche Netzspannung. Wenn das Gerät an eine falsche Netzspannung angeschlossen wird, kann es beschädigt werden.

- Achten Sie darauf, dass die auf dem Typenschild angegebene Spannung mit der Spannung Ihres Stromnetzes übereinstimmt.

3.1 Starten und Bedienen des Geräts



Sicherstellen, dass der Schalter auf Aus steht (in Stellung 0). Überprüfen, dass geeignete Filter in das Gerät eingesetzt wurden. Dann den Saugschlauch am Saugeinlass anschließen, indem der Schlauch hineingedrückt wird, bis er fest am Einlass sitzt. Dann die beiden Rohre mit dem Schlauchgriff verbinden. Die Rohre drehen, mit sicherzustellen, dass sie fest verbunden sind. Am Rohr eine geeignete Düse anbringen. Wählen Sie die Düse entsprechend dem Material, das aufgesaugt werden soll. Wenn das Gerät zum Aufsaugen von Staub in Verbindung mit stauberzeugenden Geräten verwendet wird, ist das Ende des Saugschlauchs mit einem geeigneten Adapter anzuschließen. Darauf achten, dass die Einstellung des Schlauchdurchmessers dem tatsächlichen Schlauchdurchmesser entspricht. Den Stecker in eine geeignete Steckdose stecken. Stellen Sie den Schalter auf Stellung 1, um den Motor zu starten.



Schalterstellung I: Gerät einschalten
 Schalterstellung $\neq/0$: Gerät ausschalten. Dauerstrombuchse.
 Schalterstellung I : Ein-/Aus schaltautomatik einschalten Betrieb.
 Schalterstellung I+  Aus: Einschalten des Geräts mit deaktivierter automatischer.
 Filterreinigungsfunktion Schalterstellung I +  Aus: Auto-Ein-/Aus-Betrieb aktivieren bei deak

tivierter automatischer Filterreinigungsfunktion. Geschwindigkeitssteuerung mit gesondertem Dreh schalter.

Der Schlauchdurchmesser muss mit der Einstellung für den Schlauchdurchmesser übereinstimmen.

	
ø 21	ø 21
ø 27	ø 27
ø 32	ø 32
ø 36	ø 36
ø 38-40	ø 38-40

3.2 Ein-/Ausschaltautomatik für Elektrowerkzeuge

VORSICHT




Zubehörstecker.


Der Zubehörstecker ist für elektrisch betriebene Zusatzgeräte bestimmt, Näheres siehe unter Technischen Daten.

- Bevor ein Zubehörgerät angeschlossen wird, müssen der Staubsauger und das Zubehörgerät ausgeschaltet werden.
- Die Bedienungsanleitung und Sicherheitshinweise des Zubehörgeräts lesen und beachten.

Das Gerät verfügt über eine eingebaute, geerdete Steckdose. Dort kann ein externes Zusatzgerät angeschlossen werden. Wenn der Schalter in Stellung $\neq/0$ ist, steht die Steckdose ständig unter Strom, d. h. das Gerät kann als Verlängerungskabel verwendet werden.

In Stellung  kann der Sauger über das angeschlossene Elektrowerkzeug ein- und ausgeschaltet werden. Staub kann dann direkt dort abgesaugt werden, wo er entsteht. Es dürfen nur zugelassene Geräte, die Staub erzeugen, angeschlossen werden.

Die maximal zulässige Leistungsaufnahme des angeschlossenen Geräts ist im Abschnitt „Technische Daten“ angegeben.

Bevor der Schalter in die Stellung  gebracht wird, ist sicherzustellen, dass das an den Zubehörstecker angeschlossene Gerät ausgeschaltet ist.

3.3 Filterreinigungssystem

Das Gerät verfügt über ein automatisches System zu Filterreinigung. Während des Betriebs wird regelmäßig eine automatische Filterreinigung durchgeführt, damit immer eine optimale Saugleistung vorhanden ist.

Bei Anwendungen mit besonders viel Staub oder wenn die Saugleistung ansonsten nachlässt, wird eine zusätzliche manuelle Filterreinigung empfohlen.

- Gerät ausschalten

- Düsen- oder Saugschlauchöffnung mit der flachen Hand verschließen.
- Geräteschalter in Stellung „I“ bringen und Sauger ca. 10 Sekunden bei verschlossener Saugschlauchöffnung laufen lassen.

Falls die Saugleistung auch danach noch verringert ist, den Filter herausnehmen und mechanisch reinigen oder den Filter austauschen.

Bei bestimmten Anwendungen, wie der Aufnahme von Flüssigkeiten, wird empfohlen, das automatische Filterreinigungssystem abzuschalten. Einzelheiten siehe Kapitel 3.1.

3.4 Volumenstrom-Überwachung

VORSICHT



Prüfen, ob alle Filter vorhanden und richtig montiert sind.

Das Gerät verfügt über ein System zur Überwachung der Geschwindigkeit des Luftstroms. Vor dem Aufsaugen von Staub mit Grenzwerten für die maximale Arbeitsplatzkonzentration ist die Volumenstrom-Überwachung zu prüfen. Wenn der Motor läuft, den Saugschlauch geschlossen halten, um den Luftstrom zu verringern. Nach etwa einer Sekunde leuchtet die LED-Anzeige auf dem Bedienfeld auf. Nach einigen weiteren Sekunden ertönt ein akustisches Warnsignal.

Die Einstellung des Schlauchdurchmessers dem tatsächlichen Schlauchdurchmesser anpassen.



Wenn die LED-Anzeige aufleuchtet, ist die Luftstrom-Geschwindigkeit niedriger als 20 m/s.

- Kontrollieren, ob Behälter oder Filterbeutel voll sind.
- Kontrollieren, ob der Luftstrom in Saugschlauch, Düse oder Filter verringert ist.

3.5 Antistatischer Anschluss

VORSICHT



Das Gerät verfügt über ein Antistatiksystem, um statische Elektrizität, die sich bei der Staubaufnahme entwickelt, zu entladen.

Das Antistatiksystem befindet sich im vorderen Teil des Motoroberteils und bildet eine Erdleitung zum Eingangsanschluss des Behälters. Für eine einwandfreie Funktion wird die Verwendung eines elektrisch leitfähigen oder antistatischen Saugschlauchs empfohlen. Beim Einsetzen des optionalen Entsorgungsbeutels darauf achten, dass dieser die Antistatikklammer nicht beeinträchtigt.

3.6 Kühlluftfilter

Um die Elektronik und den Motor zu schützen, ist das Gerät mit einem Kühlluftdiffusor ausgestattet. Der Kühlluftdiffusor muss regelmäßig gereinigt werden.

In Bereichen mit einer hohen Konzentration von Feinstaub in der Umgebungsluft wird empfohlen, das Gerät mit einer optionalen Kühlluftfilterpatrone auszustatten, damit sich der Staub nicht in den Luftkanälen und dem Motor festsetzt. Wenden Sie sich an Ihren lokalen Vertriebspartner.

VORSICHT



Falls der Kühlluftfilter durch Staub verstopft ist, kann der Überlastschuttschalter des Motors ausgelöst werden. In einem solchen Fall das Gerät ausschalten, den Kühlluftfilter reinigen und das Gerät etwa 5 Minuten abkühlen lassen.

3.7 Nasssaugen

VORSICHT



Das Gerät verfügt über ein Schwimmersystem, das den Luftstrom durch das Gerät abschaltet, wenn der maximale Flüssigkeitsstand erreicht ist.

In diesem Fall das Gerät ausschalten. Den Netzstecker ziehen und den Behälter entleeren. Flüssigkeiten nur dann aufnehmen, wenn der Schwimmer und der Filter eingesetzt sind. Flüssigkeiten aufsaugen

- Keine entflammaren Flüssigkeiten aufsaugen.
- Vor dem Aufsaugen von Flüssigkeiten immer den Filter- oder Entsorgungsbeutel entfernen und kontrollieren, ob das Schwimmersystem richtig funktioniert.
- Bei Schaumbildung sofort die Arbeit einstellen und den Tank entleeren.
- Das Schwimmersystem regelmäßig reinigen und auf Schäden überprüfen.

Vor dem Entleeren des Behälters den Stecker aus der Steckdose ziehen. Den Schlauch vom Einlass abziehen. Den Verschluss an der Vorderseite des Motoroberteils öffnen, dazu den unteren Teil herausziehen. Das Motoroberteil vom Behälter abnehmen. Nach jedem Nasssaugen immer den Behälter entleeren und ihn sowie das Schwimmersystem reinigen. Den Behälter entleeren, indem er nach hinten oder zur Seite gekippt wird. Die Flüssigkeit in einen Bodenabfluss o. ä. schütten.

Das Motoroberteil wieder auf den Behälter setzen. Motoroberteil mit dem Verschluss befestigen. Heftige Bewegungen können das Schwimmersystem fehlerhafterweise auslösen. In diesem Fall das Gerät ausschalten und drei Sekunden warten, damit sich das System zurücksetzen kann. Danach das Gerät wieder in Betrieb nehmen.

3.8 Trockene Stoffe saugen

VORSICHT



Aufsaugen umweltgefährdender Stoffe. Wenn solche Stoffe aufgesaugt werden, kann

dies eine Umweltgefährdung bedeuten.

- Sauggut vorschriftsgemäß entsorgen.

Vor dem Entleeren nach dem Trockensaugen den Stecker aus der Steckdose ziehen. Den Saugschlauch vom Gerät abnehmen und die Einlassklappe schließen, um eine Ausbreitung des schädlichen Staubs zu verhindern. Den Verschluss an der Vorderseite des Motoroberteils öffnen, dazu den unteren Teil herausziehen. Das Motoroberteil vom Behälter abnehmen.

Hauptfilter: Den Filter überprüfen. Zum Reinigen des Filters ihn abbürsten oder abwaschen. Dann vor Gebrauch trocken lassen.

Staubbeutel: Kontrollieren, wie weit er gefüllt ist. Wenn er voll ist, den Beutel auswechseln. Den alten Beutel entfernen. Der neue Beutel wird eingesetzt, indem das Papstück mit der Gummimembran auf den Schlaucheinlass gesetzt wird. Darauf achten, dass die Gummimembran über die Verdickung am Einlass geschoben wird.

Nach dem Entleeren: Das Motoroberteil wieder auf den Behälter setzen und mit dem Verschluss befestigen. Beim Trockensaugen muss immer ein Filter im Gerät sein. Die Saugleistung des Geräts hängt von der Größe und Qualität von Filter und Staubbeutel ab. Deshalb immer Originalfilter und -staubbeutel verwenden.

4 Nach Gebrauch des Geräts

4.1 Nach Gebrauch

Nach dem Aufnehmen von gefährlichem Staub die Einlassklappe schließen und die Außenflächen des Geräts reinigen.

Immer den Netzstecker ziehen, wenn das Gerät nicht benutzt wird. Das Kabel beim Gerät beginnend aufwickeln. Das Stromkabel kann um das Motoroberteil oder den Behälter aufgewickelt werden. Einige Versionen verfügen über einen Aufbewahrungsraum für Zubehörteile.

4.2 Transport

- Vor dem Transport des Geräts sind alle Verschlüsse zu schließen.
- Den Einlass mit der Einlassklappe verschließen.
- Das Gerät nicht kippen, wenn sich im Schmutzbehälter Flüssigkeit befindet.
- Keinen Kranhaken zum Anheben des Geräts verwenden.
- Das Gerät nicht am Griff anheben *)

4.3 Lagerung

VORSICHT



Das Gerät an einem trockenen, vor Regen und Frost geschützten Ort aufbewahren. Dieses Gerät muss im Gebäudeinneren gelagert werden.

4.4 Lagerung von Zubehörteilen

Zum leichteren Transportieren und Aufbewahren

von Zubehör befinden sich an der Seite des Geräts schienen, an denen das Zubehör mit Riemen o. ä. befestigt werden kann. Ein flexibler Riemen und Haken auf der Rückseite des Geräts dient der Aufnahme von Saugschlauche und Netzkabel. Anleitung siehe Kurzanleitung.

Optional kann eine Adapterplatte¹⁾ mit Befestigungssystem auf dem Gerät montiert werden, um dort Zwei- oder Vier-Punkt-Aufbewahrungsbehälter zu befestigen.

Vor der Montage der Adapterplatte den Netzstecker ziehen.

VORSICHT²⁾



Das Gerät nicht an der Adapterplatte anheben, ohne dass der Aufbewahrungsbehälter montiert wurde. Bei Verwendung des Aufbewahrungsbehälters auf Gewicht und Gleichgewicht des Geräts achten. Höchstgewicht der Aufbewahrungsbehälter ist 30 kg.

4.5 Recycling des Geräts

Das ausgediente Gerät unbrauchbar machen.

1. Das Gerät vom Netz trennen.
2. Das Stromkabel durchschneiden.
3. Elektrische Geräte nicht über den Hausmüll entsorgen.



Entsprechend der EU-Richtlinie 2012/19/EG für gebrauchte elektrische und elektronische Geräte müssen Geräte mit elektrischen und elektronischen Bauteilen separat entsorgt und ökologisch recycelt werden.

5 Wartung

5.1 Regelmäßige Wartung und Inspektion

Die regelmäßige Wartung und Inspektion des Geräts muss von entsprechend qualifizierten Personen unter Beachtung der einschlägigen Vorschriften durchgeführt werden. Insbesondere Schutzleiter, Isolationswiderstand und der Zustand des Anschlusskabels müssen regelmäßig überprüft werden.

Bei Beschädigungen MUSS das Gerät außer Betrieb genommen und von einem autorisierten Servicetechniker vollständig kontrolliert und repariert werden.

Mindestens einmal jährlich muss ein conel Techniker oder eine eingewiesene Person eine technische Inspektion durchführen, bei der auch Filter, Lichtdichtigkeit und Regelmechanismen zu kontrollieren sind.

5.2 Wartung

Vor Wartungsarbeiten immer den Netzstecker ziehen. Vor Benutzung des Geräts darauf achten, dass Netzspannung und -frequenz mit den Angaben des Typenschildes übereinstimmen.

Das Gerät wurde für ständigen schweren Betrieb konstruiert. Abhängig von der Betriebsdauer müssen

die Staubfilter ausgewechselt werden. Den Behälter sauber halten. Dazu ein trockenes Tuch und ein wenig Spraypolitur verwenden.

Während der Wartung und Reinigung des Staubsaugers darauf achten, dass keine Gefahren für das Wartungspersonal und andere Personen entstehen.

Im Wartungsbereich

- Zwangsbelüftung mit Filter einsetzen
- Schutzkleidung tragen
- Den Wartungsbereich reinigen, so dass keine gefährlichen Stoffe in die Umgebung geraten können.

Während der Wartung und bei Reparaturen müssen alle kontaminierten Teile, die nicht ausreichend gereinigt werden konnten:

- In gut abgedichteten Beuteln verpackt werden
- Entsprechend den geltenden Vorschriften für solche Stoffe entsorgt werden

Einzelheiten des Aftersales-Service erfahren Sie bei Ihrem Händler oder dem conel-Service in Ihrem Land.

6 Weitere Informationen

6.1 EU-Konformitätserklärung

CONEL GMBH
Margot-Kalinke-Straße 9
80939 München
Deutschland

Erklären hiermit, dass das
Produkt VAC - Gewerbe - Trocken/Nass
Beschreibung 220-240V, 50/60Hz, IPX4
Typ CONEL CLEAN M30

Den folgenden Normen entspricht:

EN 60335-1:2012+A11:2014
EN 60335-2-69:2012
EN 55014-1:2006+A1:2009+A2:2011
EN 55014-2:2015
EN 61000-3-2:2014
EN 61000-3-3:2013

Konformität mit den folgenden Richtlinien:

2006/42/EC
2014/30/EU

München 02-18-2021



Uwe Dietz
Geschäftsführer CONEL GMBH

6.2 Technische Daten

CONEL CLEAN M30		
		EU
		M30
Zulässige Spannung	V	220-240
Stromverbrauch IEC	W	1200
Anschlusswert der Gerätesteckdose	W	2400
Netzfrequenz	Hz	50/60
Sicherung	A	16
Schutzklasse (Feuchtigkeit, Staub)		IPX4
Schutzklasse (elektrisch)		I
Max. Luftdurchfluss *	l/s m ³ /h CFM	75 270 159
Max. Unterdruck	kPa hPa inH ₂ O	25 250 100
Schalldruckpegel L _{PA} (IEC 60335-2-69)	dB(A)	69 ± 2
Arbeitsgeräusch	dB(A)	60 ± 2
Vibrationen ISO 5349 a _h	m/s ²	≤ 2,5
Gewicht	kg lb	14,5 31,9
Oberflächenmaß Filter	m ²	0,5
Staubklasse		M

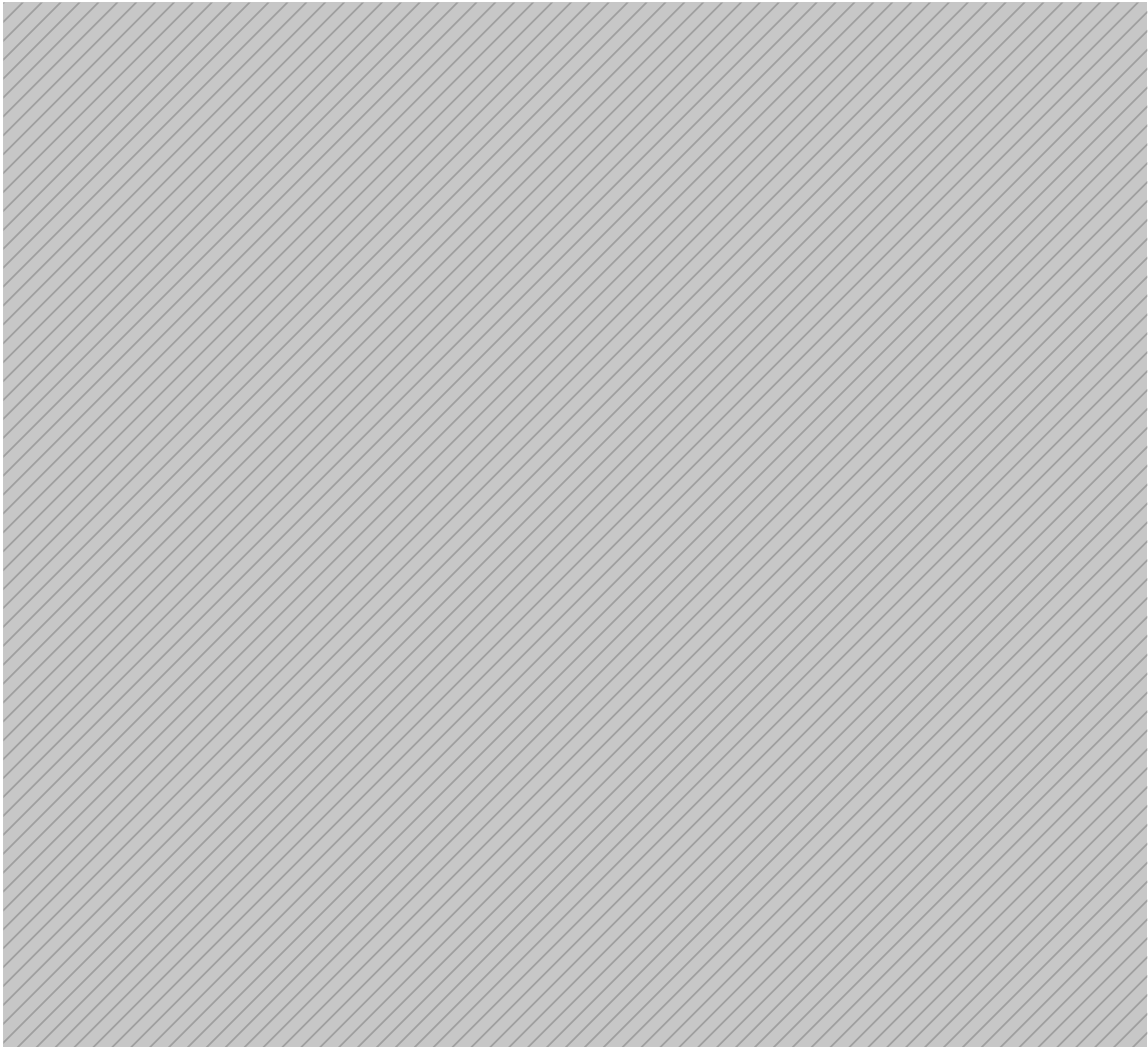
* an der Turbine gemessen

Änderungen der technischen Daten ohne vorherige Ankündigung vorbehalten.









conel.de

CONEL

DER BESTE FREUND DES INSTALLATEURS.

107420190 A (03. 2021)

Montage- und Bedienungsanleitung

CONEL GmbH / Margot-Kalinke-Straße 9 / 80929 München

Sämtliche Bild-, Produkt-, Maß- und Ausführungsangaben

entsprechen dem Tag der Drucklegung.

Technische Änderungen vorbehalten. Modell- und Produkt-
ansprüche können nicht geltend gemacht werden.